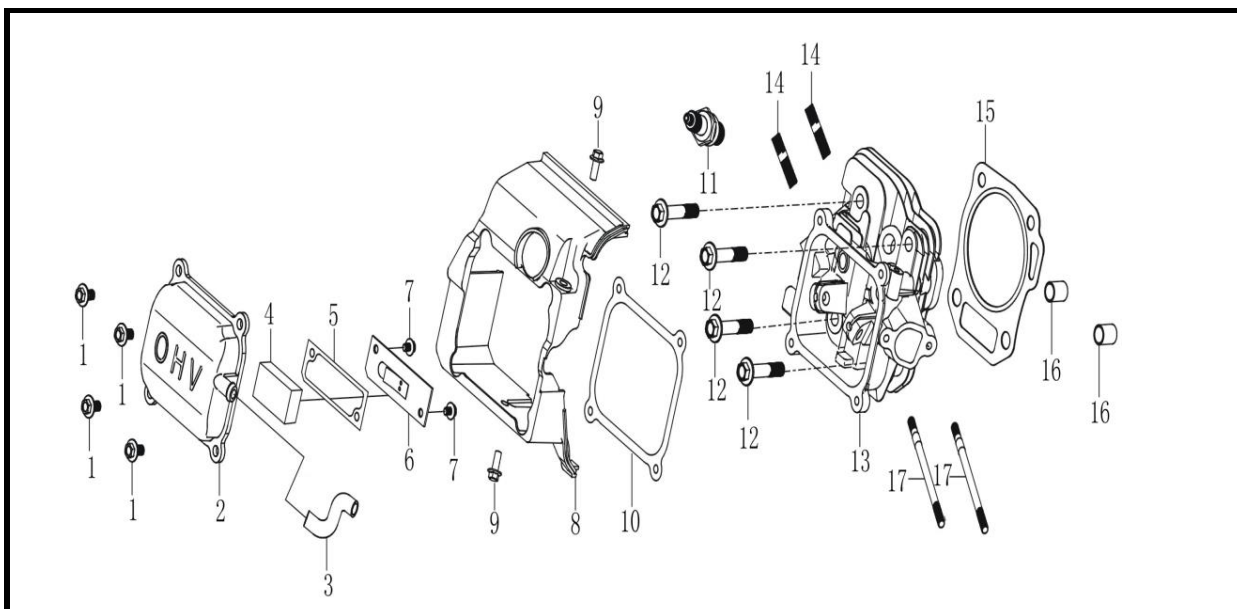


E5: 763 D; 53? 4; >5 %' " " Ž; A



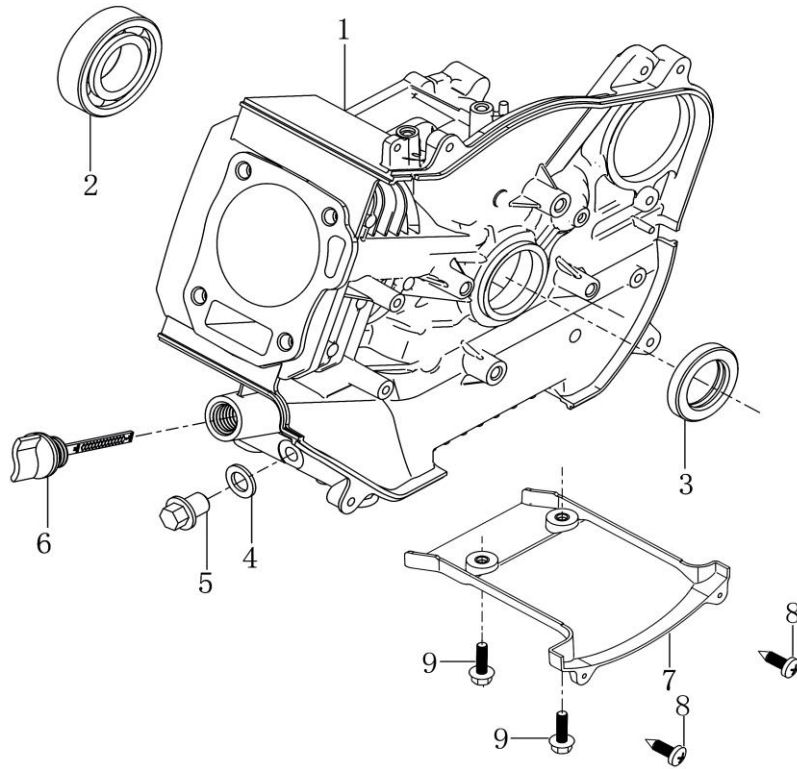
 **aimtec**  
ENGINE APPLICATIONS





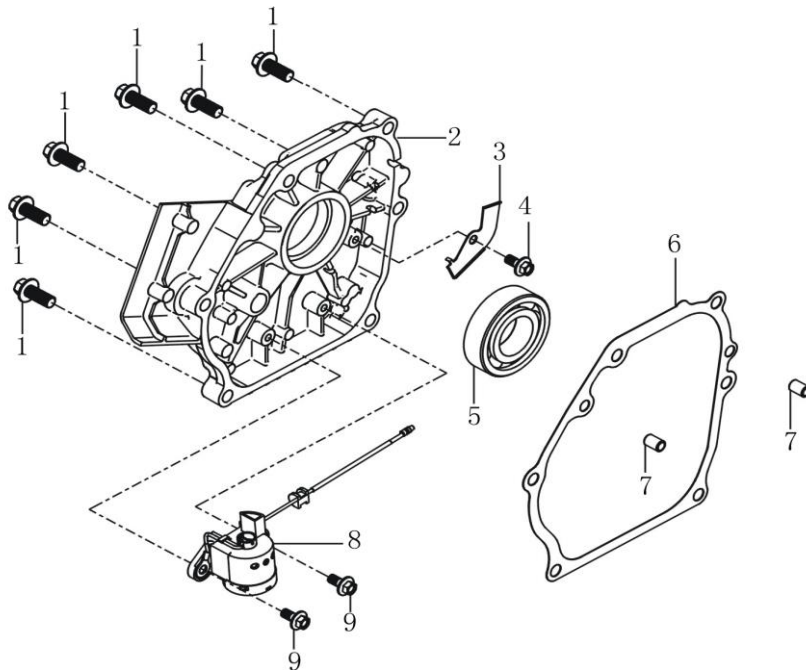
## CYLINDER HEAD

Rif	Code	Description	Q.ty
1	LC 3801402150003	BOLT ,FLANGE M6X14	4
2	<b>LC 1202301090001</b>	<b>COVER , HEAD</b>	<b>1</b>
3	<b>LC 3807411550001</b>	<b>TUBE , BREATHER</b>	<b>1</b>
4	LC 1502900270001	FILTER, HEAD COVER	1
5	LC 1108500180001	GASKET, CAP, BREATHER	1
6	LC 1108400240001	CAP, BREATHER CHAMBER	1
7	LC 3801404290001	BOLT ,FLANGE M5X10	2
8	<b>LC 1601900780001</b>	<b>SHROUD COMP</b>	<b>1</b>
9	LC 3801400110004	BOLT , FLANGE , 6X10	2
10	<b>LC 1202500430001</b>	<b>PACKING , HEAD COVER</b>	<b>1</b>
11	<b>LC 2709600140001</b>	<b>PLUG , SPARK F7TC</b>	<b>1</b>
12	LC 3801403360001	BOLT , FLANGE ,M8X60	4
13	<b>LC 1200805320001</b>	<b>HEAD COMP .,CYLINDER</b>	<b>1</b>
14	LC 3801800980001	BOLT , STUD , EX. M8X34	2
15	<b>LC 1201501930001</b>	<b>GASKET , CYLINDER</b>	<b>1</b>
16	LC 3806001170001	PIN,DOWEL	2
17	LC 3801800950001	BOLT,STUD,IN M6X96	2



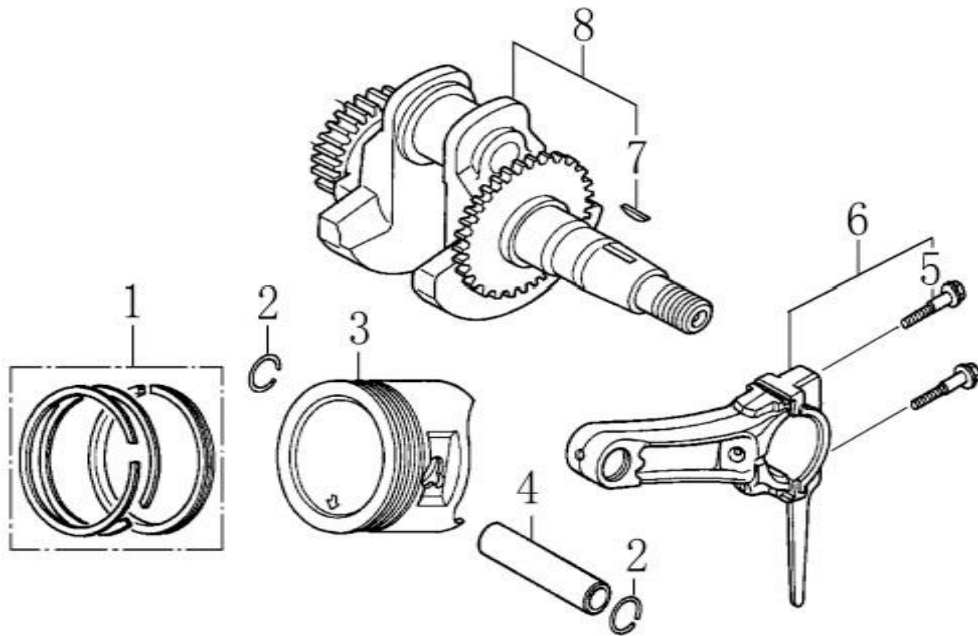
### CRANKCASE

Rif	Code	Description	Q.ty
1	LC 1108102500001	CRANK CASE	1
2	LC 3806304170001	BEARING 6205	1
3	LC 3806503470001	OIL SEAL 25×41.25×6	1
4	LC 3804505140001	WASHER,DRAIN PLUG 10×16×1.5	1
5	LC 1102600250001	BOLT ,DRAIN PLUG M10×1.25×15	1
6	LC 1106900730001	CAP ASSY.	1
7	LC 1602000540001	BOTTOM, GUARD SHIELD	1
8	LC 3803101170001	SELT THREADING SCREW	2
9	LC 3801402150003	BOLT , FLANGE M6X14	2



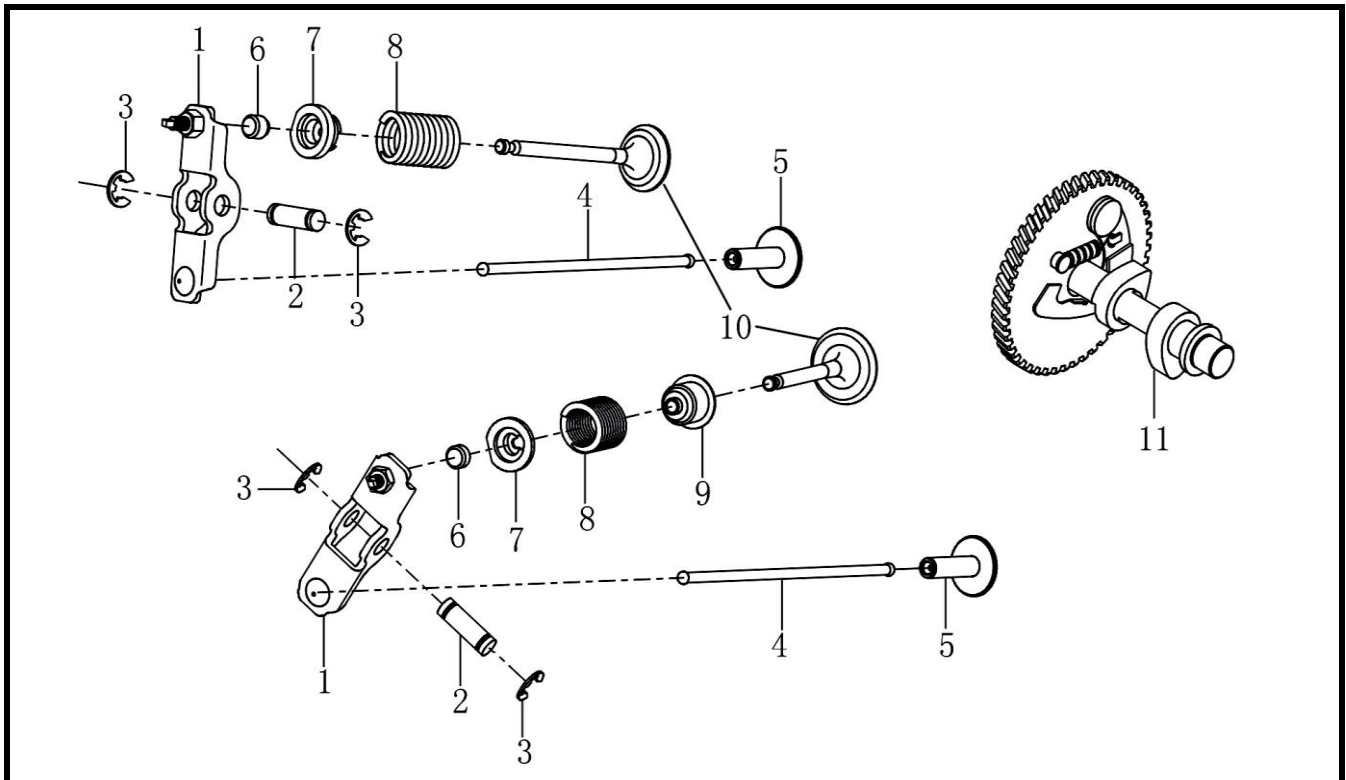
### CRANKCASE COVER

Rif	Code	Description	Q.ty
1	LC 3801400280004	BOLT ,FLANGE M8×32	6
<b>2</b>	<b>LC 1108201220001</b>	<b>COVER ,CRANKCASE</b>	<b>1</b>
3	LC 1104800320001	PLATE	1
4	LC 3801400110004	BOLT , FLANGE M6×10	1
5	LC 3806304170001	BEARING 6205	1
<b>6</b>	<b>LC 1108300310001</b>	<b>PACKING ,CASE COVER</b>	<b>1</b>
7	LC 3806001200001	PIN ,DOWEL 8×14	2
<b>8</b>	<b>LC 2818502370001</b>	<b>OIL LEVEL SWITCH</b>	<b>1</b>
9	LC 3801402150003	BOLT , FLANGE M6×14	2



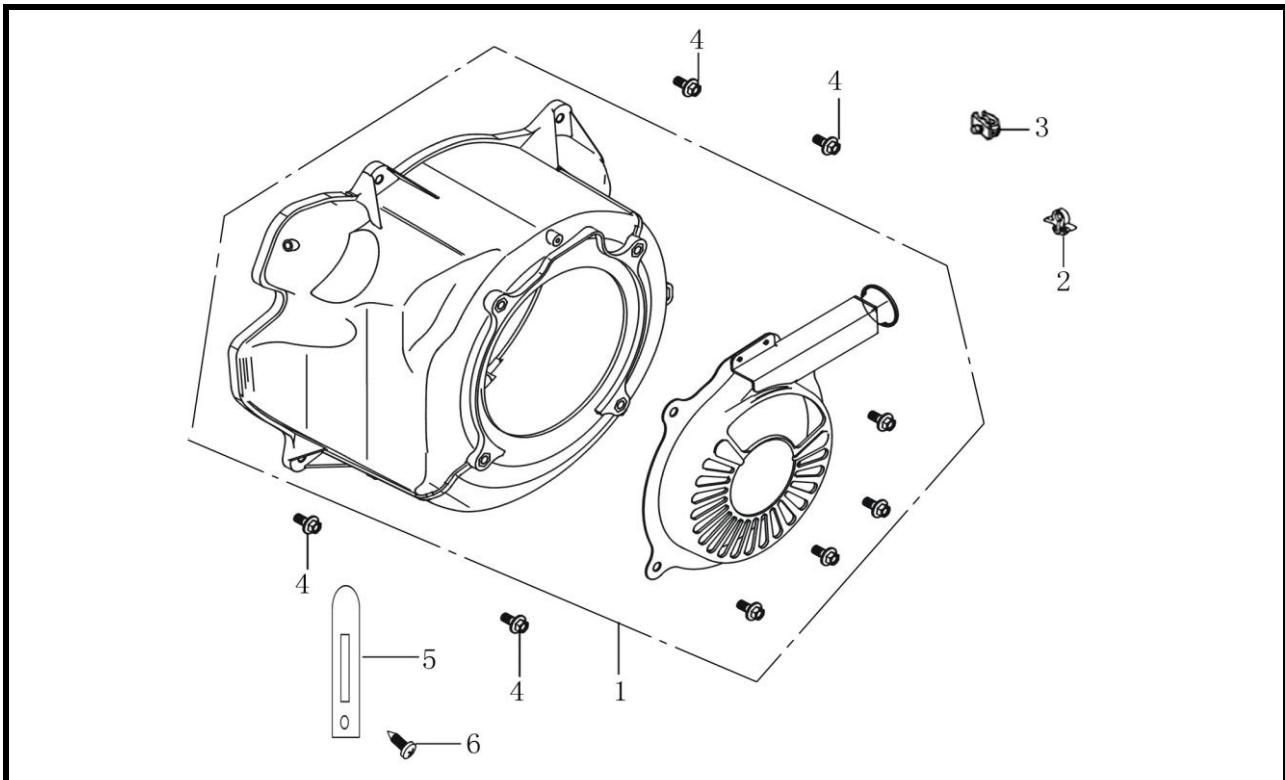
**CRANKSHAFT/PISTON**

Rif	Code	Description	Q.ty
1	LC 1300701870001	RING SET	1
2	LC 3805600560001	CLIP , PISTON PIN	2
3	LC 1300302080001	PISTON	1
4	LC 1300600310001	PIN , PISTON	1
5	LC 1301800010001	BOLT,CONNECTING ROD	2
6	LC 1301500540001	ROD ASSY ., CONNECTING	1
7	LC 380620050T040	KEY	1
8	LC 1302904470001	CRANKSHAFT COMP	1



### ROCKER,CAMSHAFT

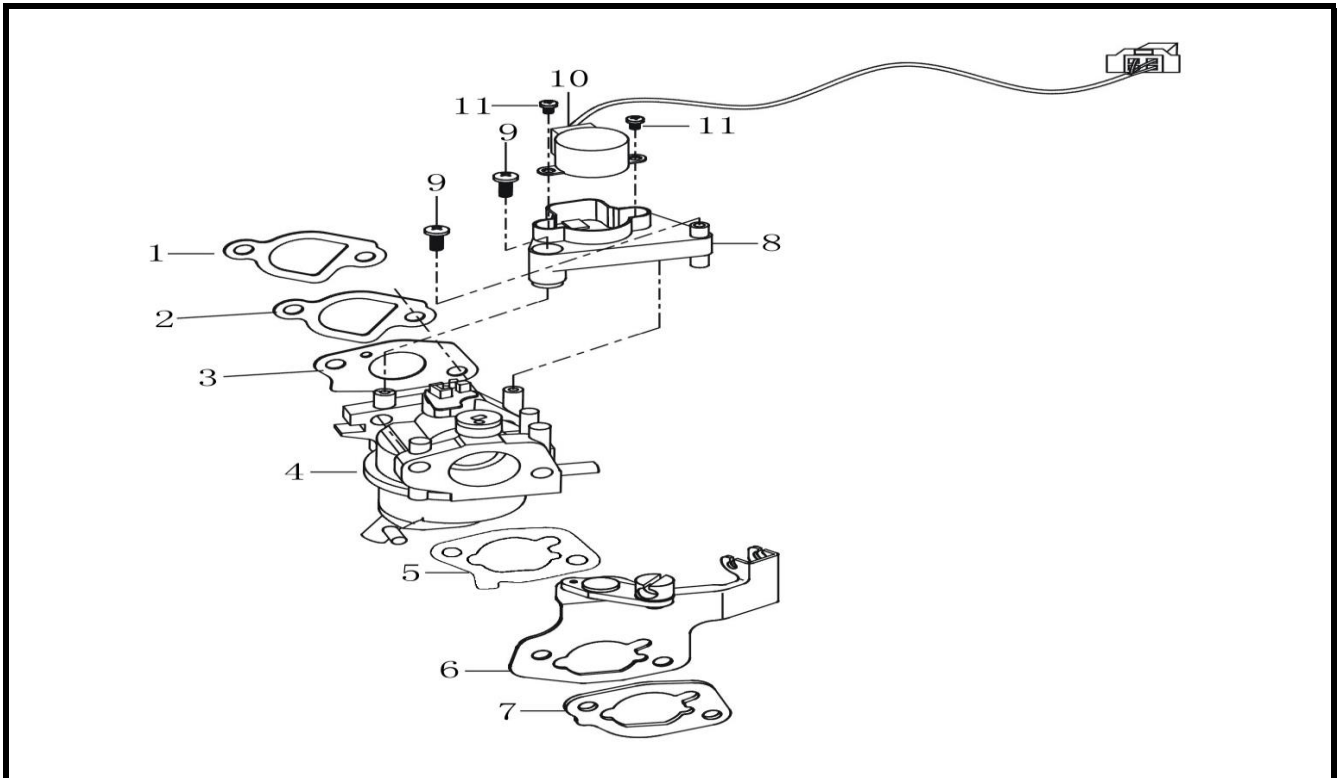
Rif	Code	Description	Q.ty
1	LC 1404500560001	ARM COMP.	2
2	LC 1405100490001	VALVE ROCKER SHAFT	2
3	LC 3805700240003	LOCKER	4
4	LC 1406700410001	ROD,PUSH	2
5	LC 1406900030001	LIFTER VALVE	2
6	LC 1403200010001	ROTATOR,VALVE	2
7	LC 1403800170001	RETAINER,VALVE SPRING	2
8	LC 1403400220001	SPRING , VALVE	2
9	LC 1404000160001	SEAL,GUIDE	1
10	LC 5005500410001	VALVE COMP.	1
<b>11</b>	<b>LC 1400201140001</b>	<b>CAMSHAFT ASSY.</b>	<b>1</b>



**STARTER SUBASSEMBLY**

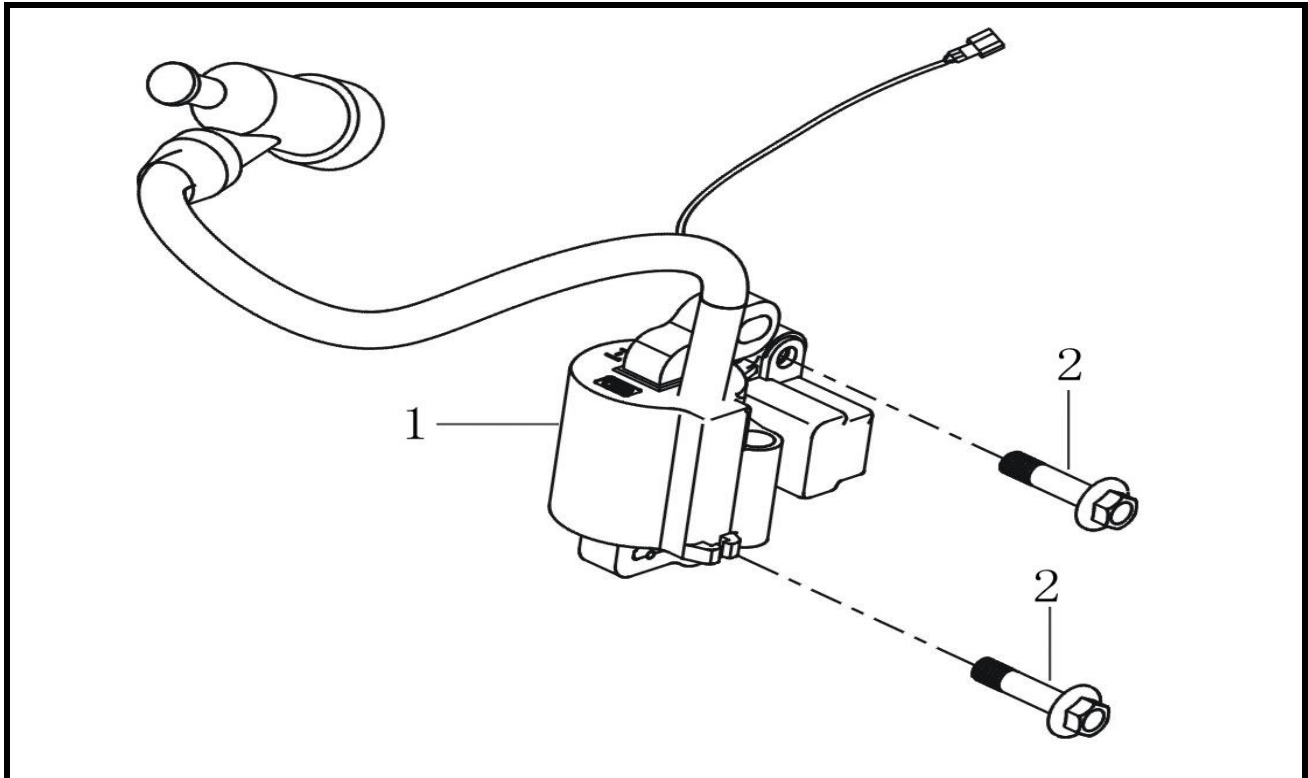
Rif	Code	Description	Q.ty
1	LC 1602100960001	COVER COMP., FAN	1
2	LC 3809300270001	LOCATION CABLE CLIP	1
3	LC 1402800010001	CLIP,HARNESS	1
4	LC 3801400020007	BOLT ,FLANGE M6×16	4
5	LC 3809403460001	CABLE CLEAT	1
6	LC 3803101680001	TAPPING SCREW	1





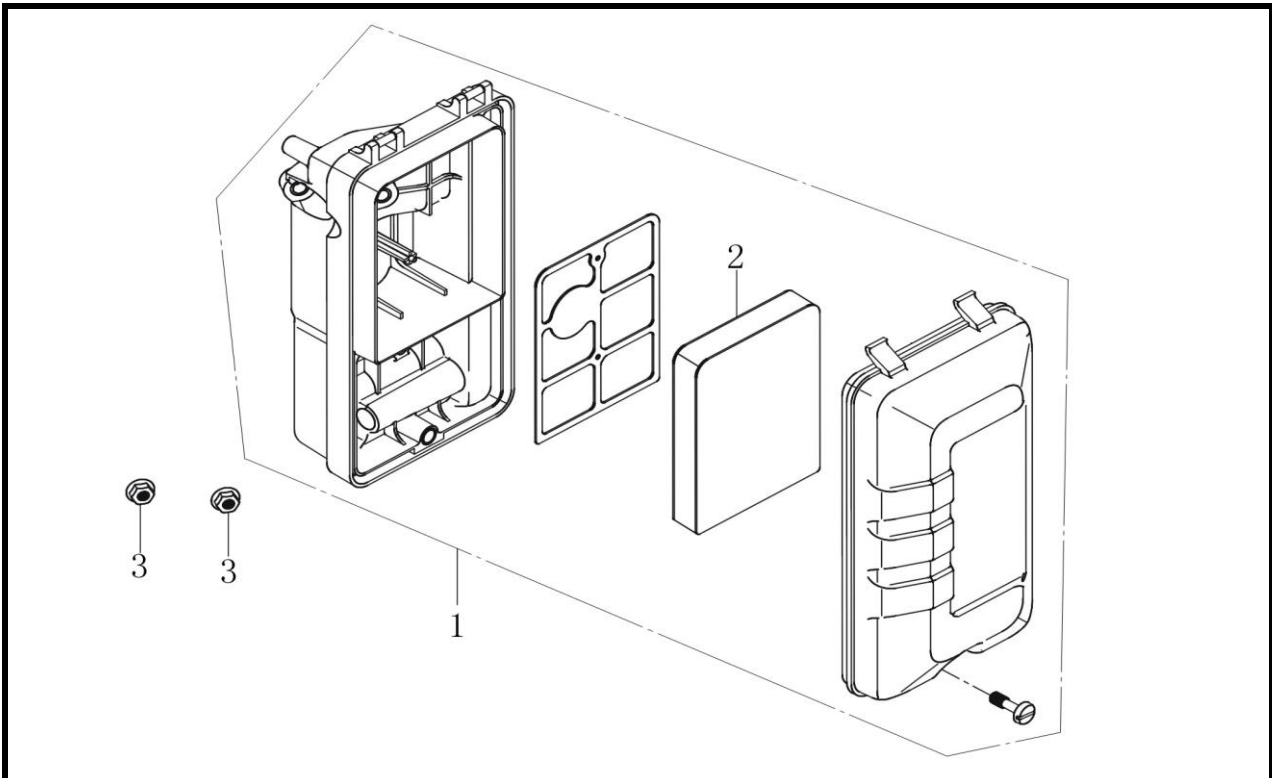
**CARBURETOR**

Rif	Code	Description	Q.ty
1	LC 1704300600001	PACKING , INSULATOR	1
2	LC 1704400870001	INSULATOR ,CARBURETOR	1
3	LC 1704300480001	PACKING ., CARBURETOR	1
4	LC 1700205380001	CARBURETOR	1
5	LC 1704301400001	GASKET,CARBURETOR	1
6	LC 1714800280001	BRACKET CHOKE	1
7	LC 1704301800001	SPACER COMP.,AIR CLEANER	1
8	LC 6609200010001	BRACKET, ELETROMOTOR	1
9	LC 3802000460002	SCREW , TAPPING , M4×12	2
10	LC 6609100030001	RECOIL START ASSY	1
11	LC 3802000690002	SCREW, M3X5	2



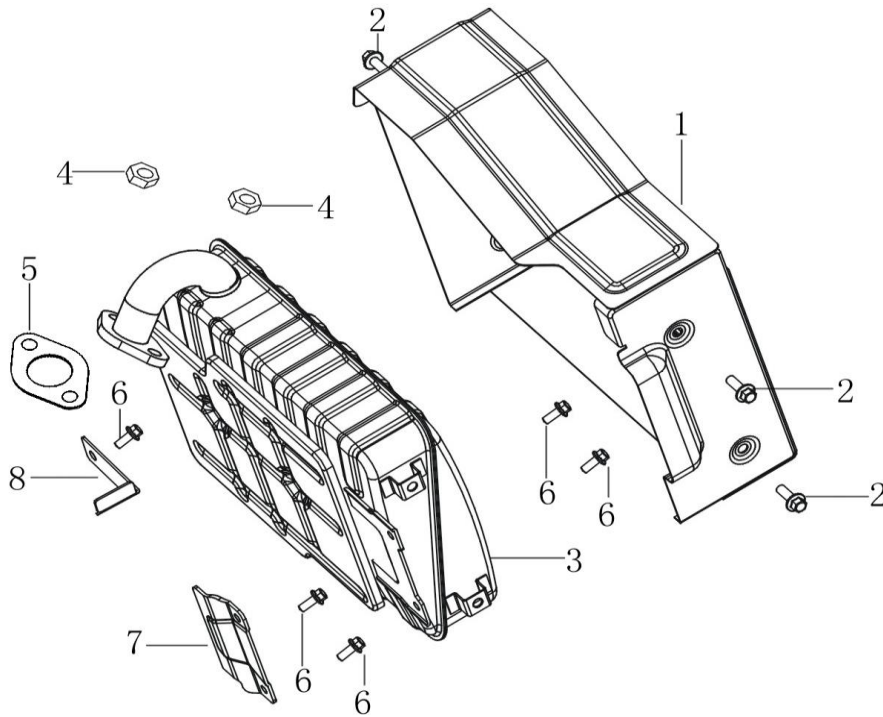
**IGNITION COMP.**

Rif	Code	Description	Q.ty
1	LC 2709203340001	COIL ASSY., IGNITION	1
2	LC 3801401020004	BOLT, FLANGE M6×25	2



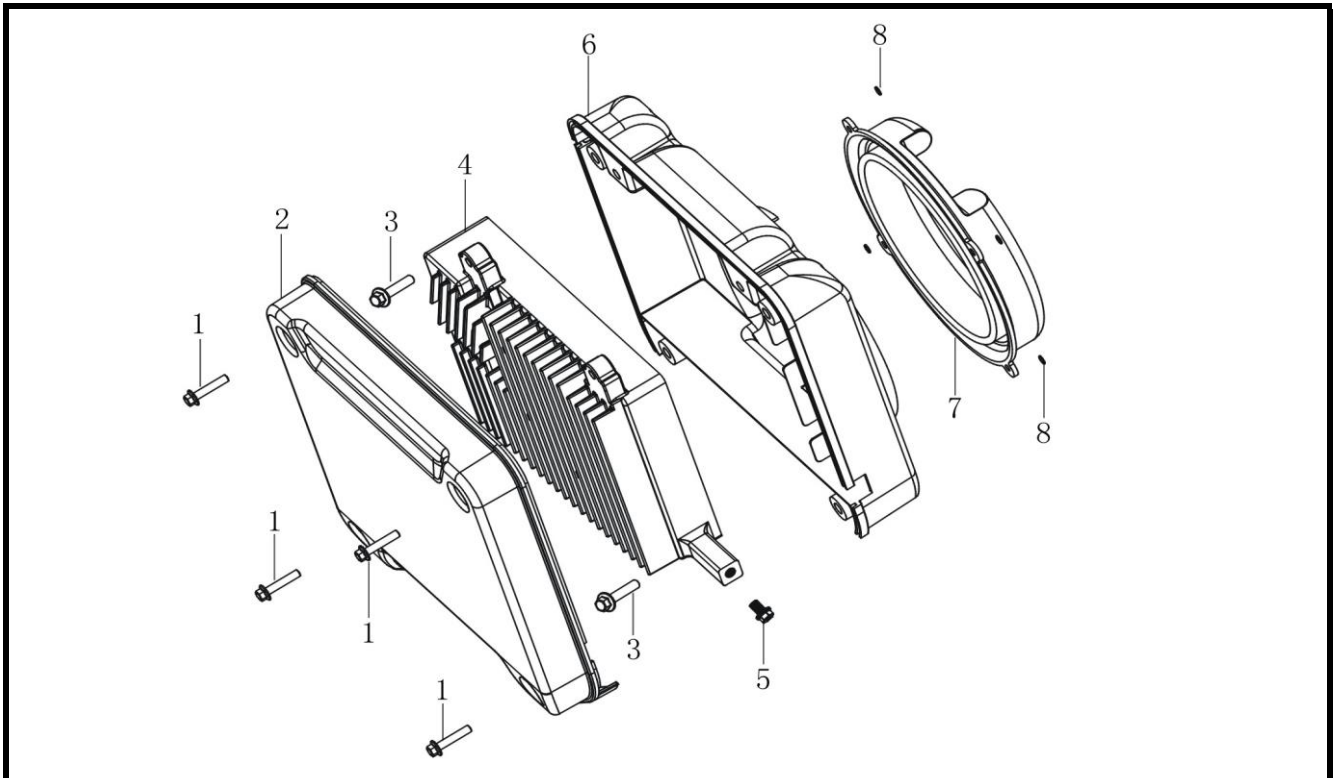
**AIR CLEANER**

Rif	Code	Description	Q.ty
1	LC 1800207350001	AIR CLEANER	1
2	LC 1801302570001	FILTER, OUTER	1
3	LC 3803700480001	NUT, FLANGE	2



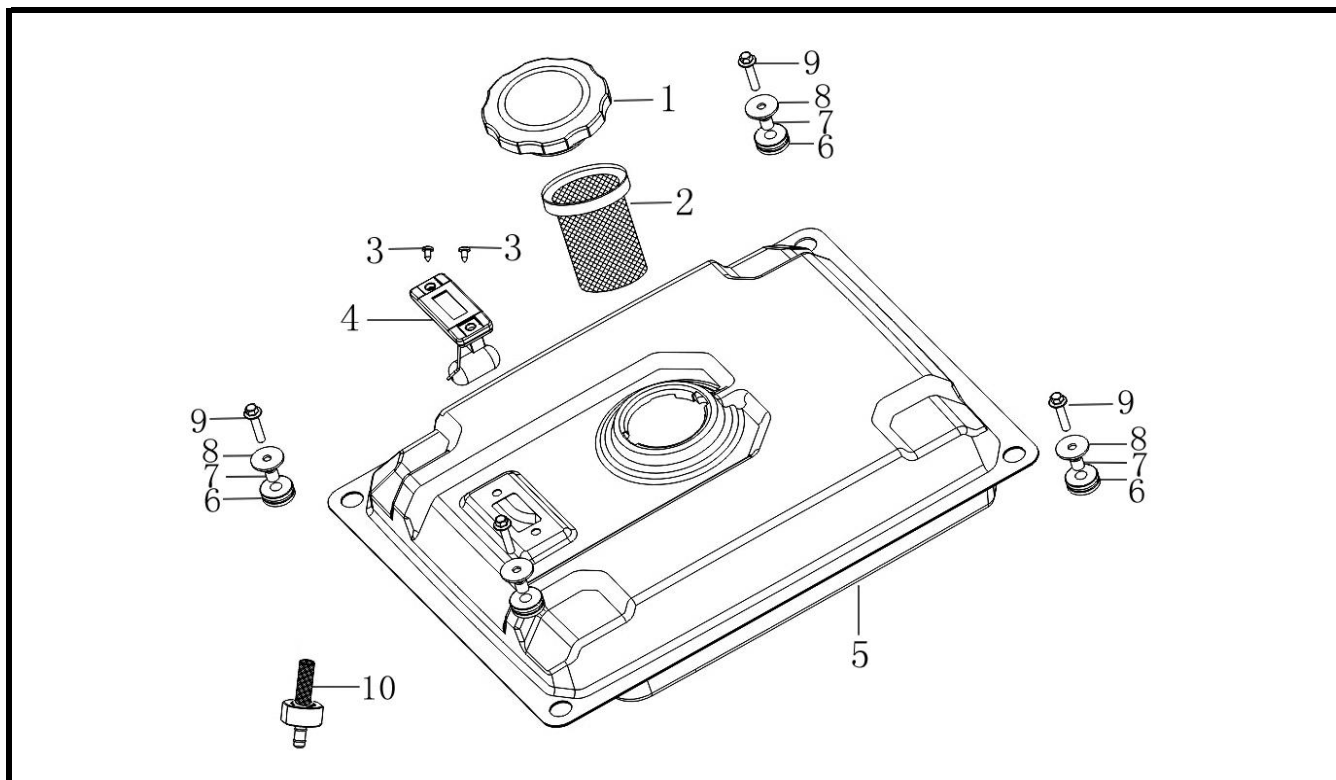
**MUFFLER**

Rif	Code	Description	Q.ty
1	LC 1809601390001	PROTECTOR, MUFFLER	1
2	LC 3801400010005	BOLT, FLANGE 6X12	4
3	LC 1806901760001	MUFFLER COMP	1
4	LC 3803400050005	NUT M8	2
5	LC 1806500650001	GASKET , MUFFLER	1
6	LC 3801400010006	BOLT, FLANGE 6X12	5
7	LC 1809900900001	MUFFLER BRACKET	1
8	LC 3410600750001	WINDSHIELD	1



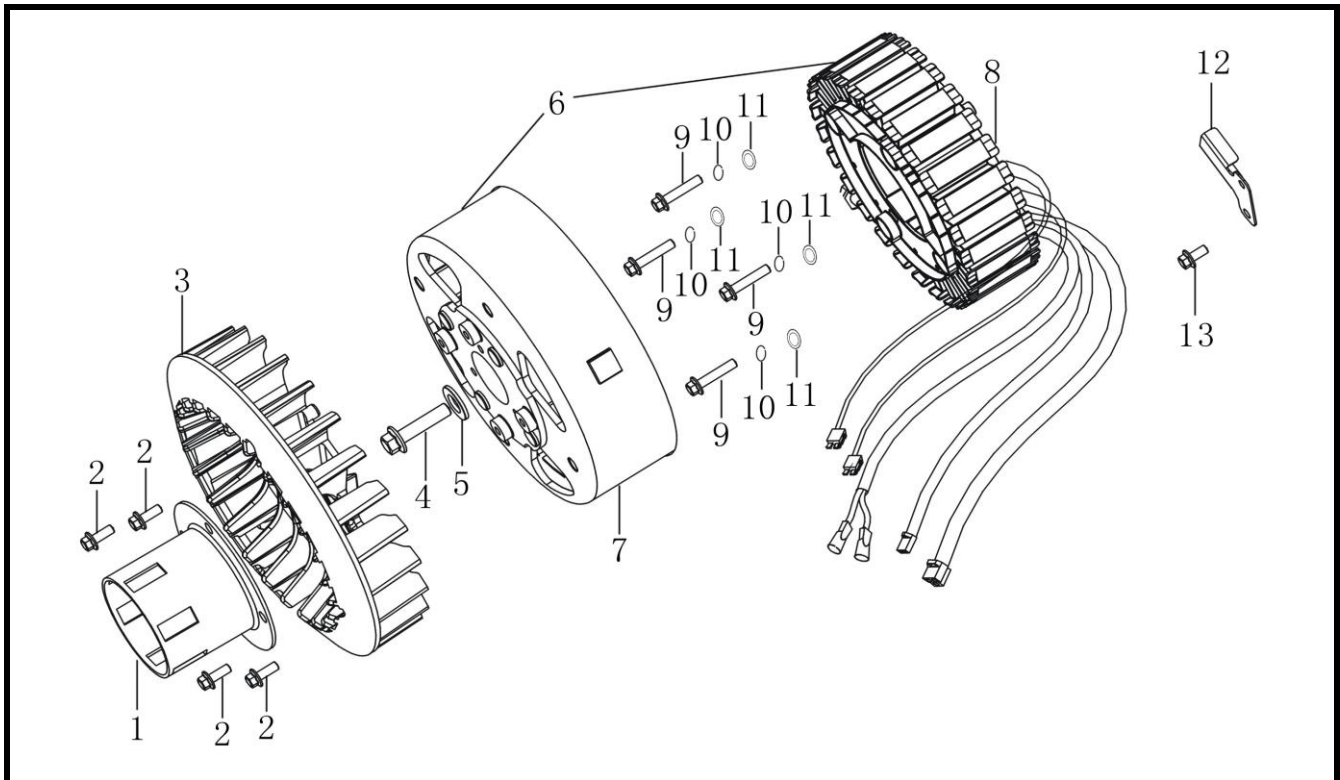
### INVERTER ASSY

Rif	Code	Description	Q.ty
1	LC 3801400490003	BOLT, FLANG M5×16	4
2	<b>LC 6618800040001</b>	<b>WIND SHIELD</b>	1
3	LC 3801401030004	BOLT, FLANG M6×25	2
4	<b>LC 6609000170001</b>	<b>INVERTER ASSY.</b>	1
5	LC 3801400010005	BOLT, FLANG	1
6	<b>LC 6618800050001</b>	<b>WIND SHIELD, AFTER</b>	1
7	<b>LC 3808409070001</b>	<b>SEAL RING</b>	1
8	LC 3804900190001	LOCK WASHER	4



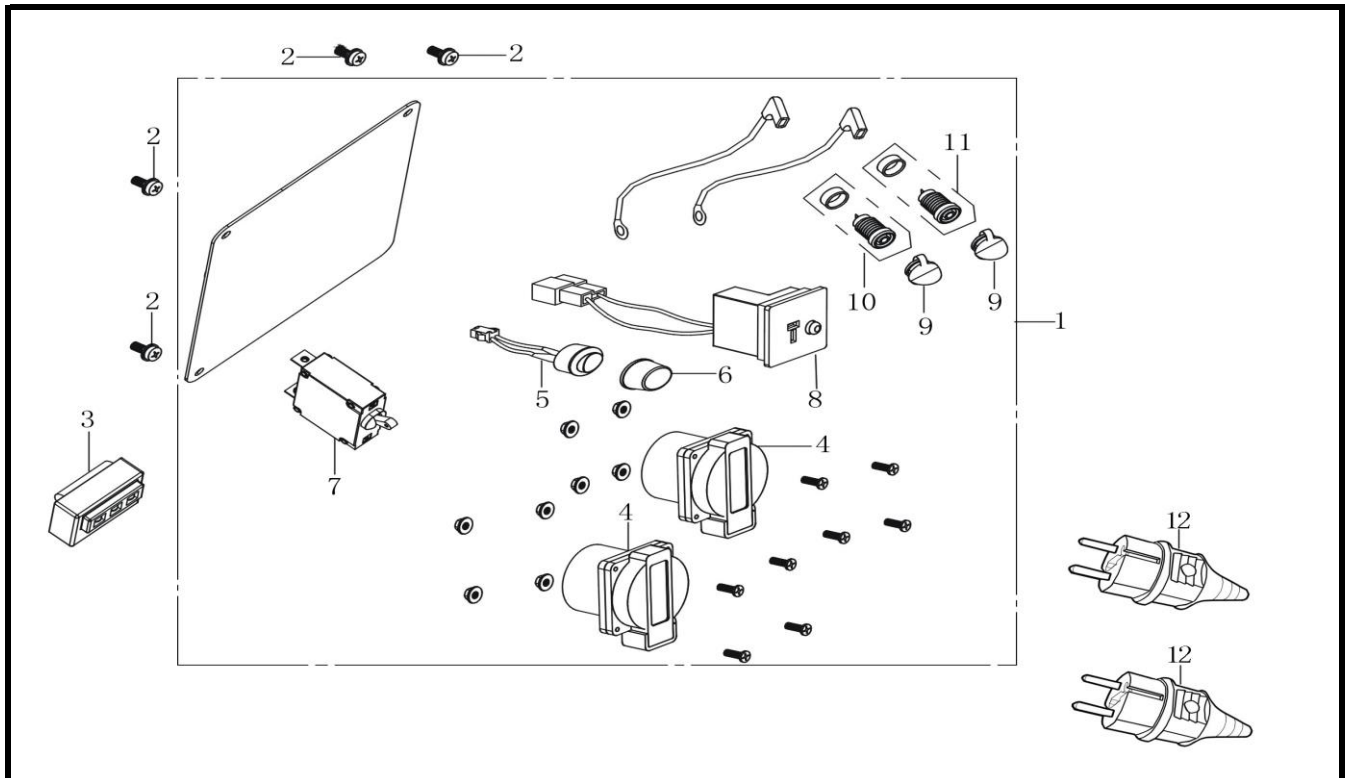
### FUEL TANK

Rif	Code	Description	Q.ty
1	LC 1708701290001	CAP COMP.,FUEL FILLER	1
2	LC 1707200050001	FILTER, FUEL TANK	1
3	LC 3802200440002	CROSS RECESSED COUNTERSUNK HEAD	2
4	LC 1707400210001	METER COMP., FUEL	1
5	LC 1705010670002	TANK COMP., FUEL	1
6	LC 1707000500001	RUBBER, FUEL CUSHION	4
7	LC 1707100140001	COLLAR, TANK CUSHION	4
8	LC 3804504440002	WASHER	4
9	LC 3801401030004	BOLT, FLANGE, M6×25	4
10	LC 1706601100001	TANK OUTLET	1



### ROTOR-STATOR

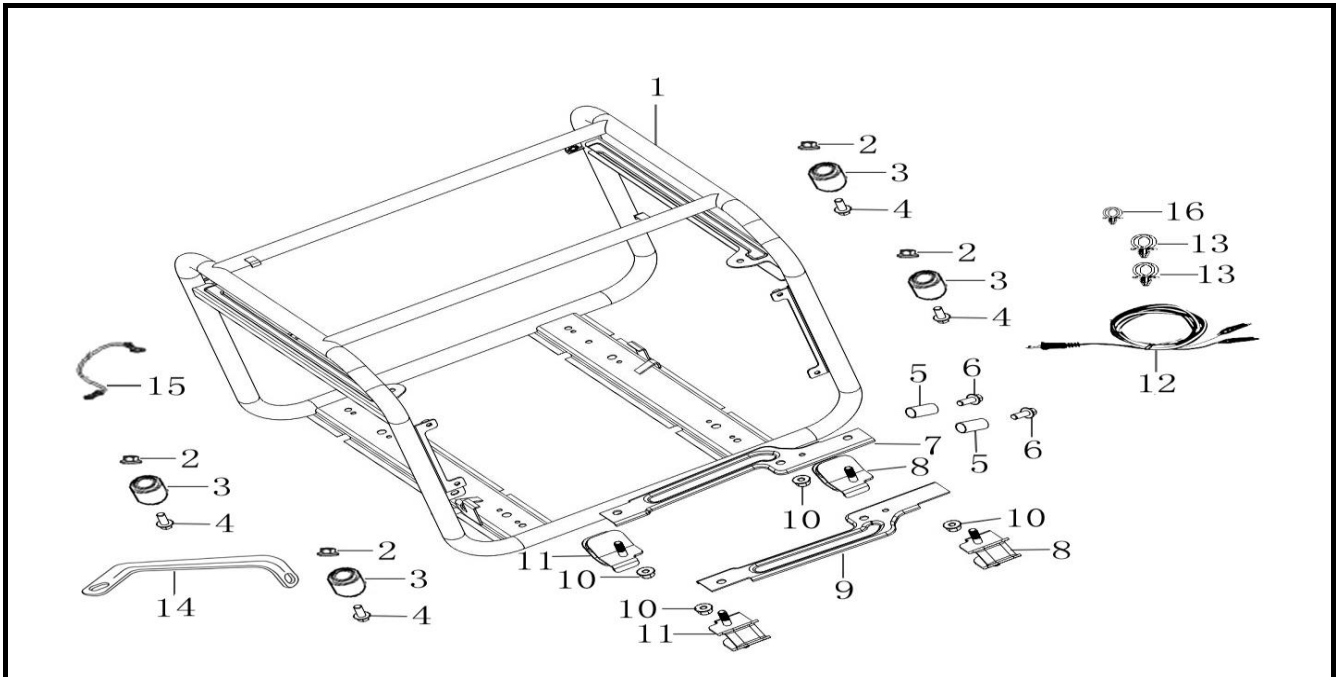
Rif	Code	Description	Q.ty
1	LC 1935900260002	PULLEY, STARTER	1
2	LC 3801400020007	BOLT,FLANGE M6×16	4
3	LC 6601300070001	MOTOR FAN	1
4	LC 3801405950001	BOLT,FLANGE M8×30	1
5	LC 3804510240001	WASHER	1
6	LC 6600803710001	ALTERNATOR ASSY.	1
7	LC 6601101050001	MOTOR ROTOR	1
8	LC 6601001290001	MOTOR STATOR	1
9	LC 3801902210001	INNER SIX ANGLE SCREW	4
10	LC 3804600030003	WASHER,SPRING	4
11	LC 3804500770001	WASHER	4
12	LC 1104800300001	PRESSING LINE PLATE	1
13	LC 3801400110004	BOLT, FLANGE	1



### CONTROL PANEL

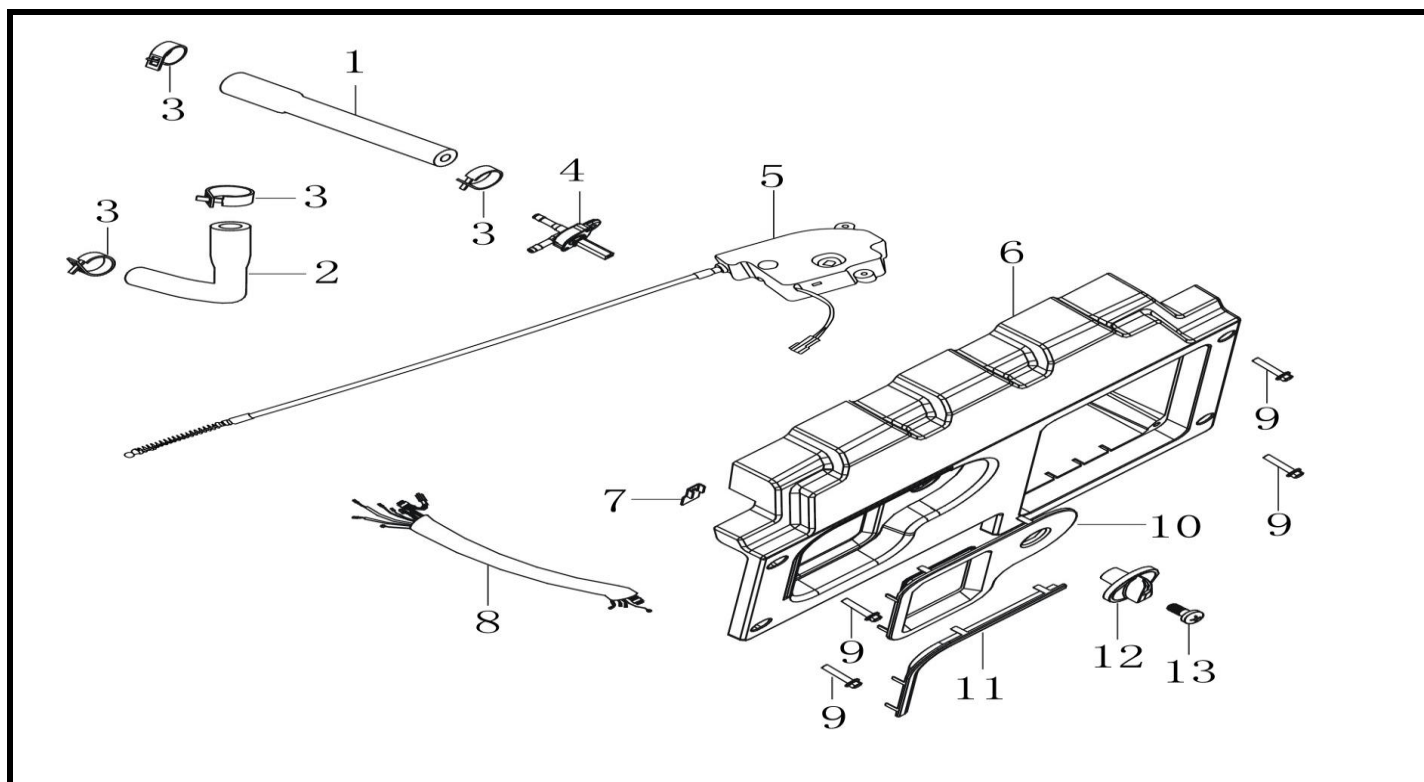
Rif	Code	Description	Q.ty
1	LC 2718518520001	CONTROL PANEL ASSY	1
2	LC 3806900170001	CROSS-CAP SCREWS	4
3	LC 2710002160001	ELECTRIC FIREARMS	1
4	LC 2718900010001	POWER SOCKET COMBINATION	2
5	LC 1734000010001	DEACTIVATION SWITCH	1
6	LC 2733300050001	IDLING SWITCH WATERPROOF CAP	1
7	LC 271290011T54S	PROTECTOR, CIRCUIT	1
8	LC 3810700100001	DC SOCKET (WITH THE FLOW DEVICE)	1
9	LC 2733300060001	GRID SOCKET WATERPROOF GLUE SETS	2
10	LC 3810700090001	GRID SOCKET (RED)	1
11	LC 3810700090002	GRID SOCKET (BLACK)	1
12	LC 2718800050001	PLUG	2





### FRAME

Rif	Code	Description	Q.ty
1	LC 3007204210003	FRAME COMP	1
2	LC 3803700480001	NUT M6	4
<b>3</b>	<b>LC 3007700050001</b>	<b>RUBBER , SHOCK ABSORBER</b>	<b>4</b>
4	LC 3801400010006	BOLT, FLANGE	4
5	LC '3806001170001	POSTIONING PIN	2
6	LC 3801400910005	BOLT, FLANGE,M8×25	2
7	LC 3419500050001	ENGINE SUPPORT PLATE	1
<b>8</b>	<b>LC 3007800220001</b>	<b>RUBBER, RIGHT BOTTOM 38</b>	<b>2</b>
<b>9</b>	<b>LC 3419500060001</b>	<b>ENGINE SUPPORT PLATE</b>	<b>1</b>
10	LC 3803700070004	NUT M8	4
<b>11</b>	<b>LC 3007800230001</b>	<b>RUBBER, LEFT BOTTOM 13</b>	<b>2</b>
<b>12</b>	<b>LC 2712800390001</b>	<b>CONNECTING LINE</b>	<b>1</b>
<b>13</b>	<b>LC 3809300270001</b>	<b>LOCATION CABLE CLIP</b>	<b>2</b>
14	LC 3007101120001	STAY, AIR CLEANER	1
<b>15</b>	<b>LC 2729800060001</b>	<b>GROUND LINE</b>	<b>1</b>
16	LC 3809300240001	LOCATION CABLE CLIP	1



### PANEL SEAT

Rif	Code	Description	Q.ty
1	LC 3807506930001	TUBE, FUEL	1
2	LC 3807506920001	TUBE, FUEL	1
3	LC 3809601700002	CLAMP ASSEMBLY	4
4	LC 1709801100001	OIL SWITCH PARTS	1
5	LC 6619200080001	COMBINED SWITCH PARTS	1
6	LC 2719700160001	PANEL SEAT	1
7	LC 1104800310001	PRESSING LINE PLATE	1
8	LC 2720401360001	CONTROL PANEL WIRING HARNESS	1
9	LC 3801400490003	BOLT, FLANG	4
10	LC 6619400020001	PULL ROPE HANDLE EXPORT DECORATIVE	1
11	LC 6623700010001	WEARE PROTECTIVE STRIP	1
12	LC 1732600060001	OIL SWITCH KNOB	1
13	LC 3812100340001	CROSS RECESSED SMALL PAN HEAD TAPPING	1





42024 Castelnovo di Sotto (Reggio Emilia) - Italy - Via S. Biagio, 59  
Tel. +39.0522.487011 - Fax (Italy) +39.0522.487019 - Fax (World) +39.0522.683070  
[www.speroni.it](http://www.speroni.it) - [speroni@speroni.it](mailto:speroni@speroni.it)