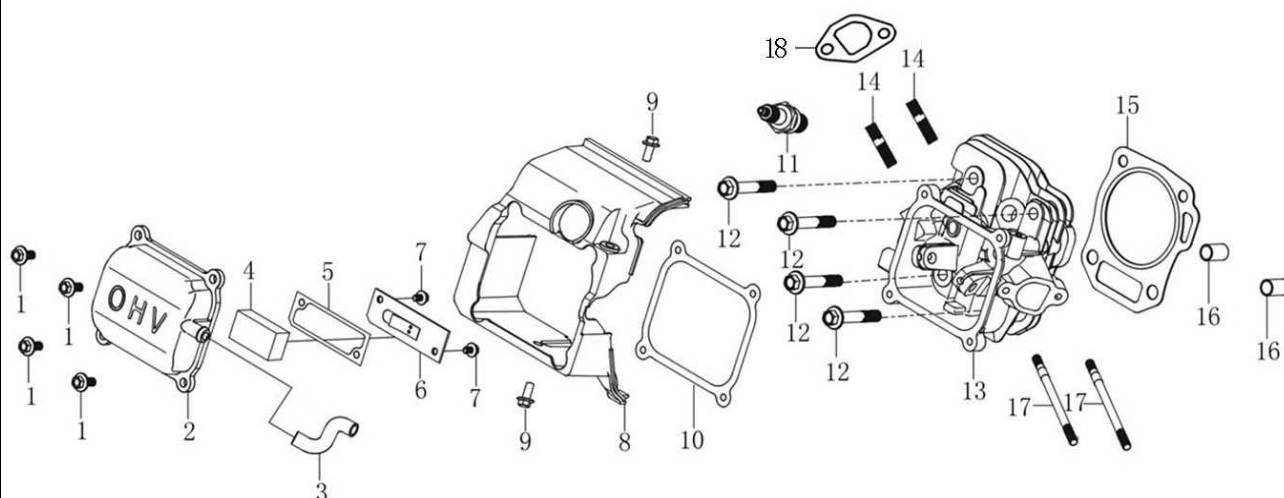


L7 3500 IW - Trolley



°\$2270330

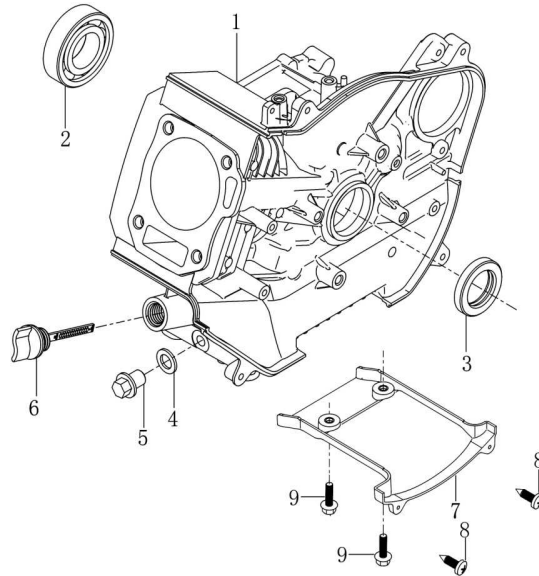
LC 3500 IW - T



TESTATA - CYLINDER HEAD

1		CODE	DESCRIPTION	QT
1	LC	3801402150003	BOLT FLANGE M6X14	4
2	LC	1202301090001	COVER TESTA - COVER HEAD	1
3	LC	3807412180001	TUBE BREATHER	1
4	LC	1502900270001	FILTER HEAD COVER	1
5	LC	1108500180001	GUARNIZIONE TESTA - GASKET CAP BREATHER	1
6	LC	1108400240001	GUARNIZIONE CAMERA TESTA - CAP BREATHER CHAMBER	1
7	LC	3801404290001	BOLT FLANGE M5X10	2
8	LC	1601900920001	SHROUD COMP	1
9	LC	3801400110004	BOLT FLANGE 6X10	2
10	LC	1202500430001	GUARNIZIONE TESTA - PACKING HEAD COVER	1
11	LC	2709600140001	CANDELA - PLUG SPARK F7TC	1
12	LC	3801403360001	VITE - BOLT FLANGE M8X60	4
13	LC	1200805320001	TESTA COMPLETA - HEAD COMP CYLINDER	1
14	LC	3801800980001	VITE - BOLT STUD EX. M8X34	2
15	LC	1201501930001	GURNIZIONE CILINDRO TESTA - GASKET CYLINDER	1
16	LC	3806001170001	PIN DOWEL	2
17	LC	3801800950001	BOLT STUD IN M6X96	2
18	LC	1806500650001	GUARNIZIONE USCITA TESTA - GASKET EX PIPE	1

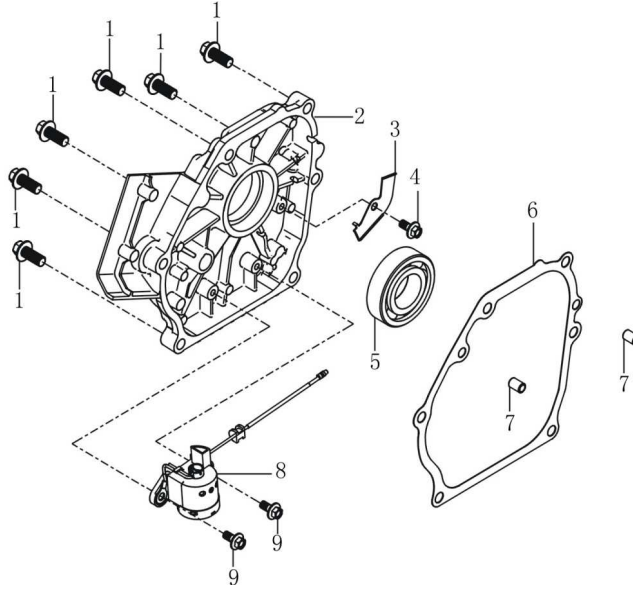
LC 3500 IW - T



CARTER - CRANKCASE

2		CODE	DESCRIPTION	QT
1	LC	1108103240001	CARTER - CRANK CASE	1
2	LC	3806304170001	CUSCINETTO - BEARING 6205	1
3	LC	3806503470001	PARAOILIO - OIL SEAL 25×41.25×6	1
4	LC	3804505140001	WASHE DRAIN PLUG 10×16×1.5	1
5	LC	1102600250001	BOLT DRAIN PLUG M10×1.25×15	1
6	LC	1106900730001	TAPPO COMPLETO - CAP ASSY	1
7	LC	1602000540001	BOTTOM GUARD SHIELD	1
8	LC	3803101170001	SELT THREADING SCREW	2
9	LC	3801402150003	BOLT FLANGE M6X14	2

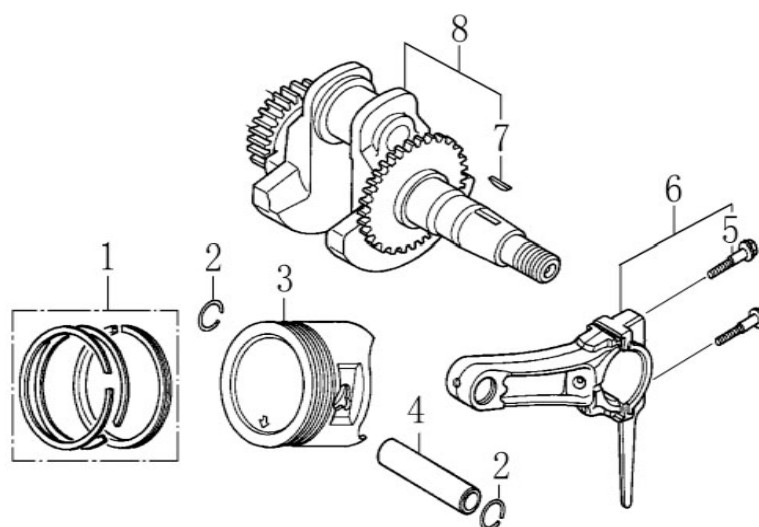
LC 3500 IW - T



CARTER - CRANKCASE COVER

3		CODE	DESCRIPTION	QT
1	LC	3801400280004	BOLT FLANGE M8×32	6
2	LC	1108201220001	COVER CARTER - COVER CRANKCASE	1
3	LC	1104800320001	PLATE	1
4	LC	3801400110004	BOLT FLANGE M6×10	1
5	LC	3806304170001	CUSCINETTO - BEARING 6205	1
6	LC	1108300310001	GUARNIZIONE CARTER - PACKING CASE COVER	1
7	LC	3806001200001	PIN - PIN DOWEL 8×14	2
8	LC	2818502370001	SENSORE LIVELLO OLIO - OIL LEVEL SWITCH	1
9	LC	3801402150003	BOLT FLANGE M6×14	2

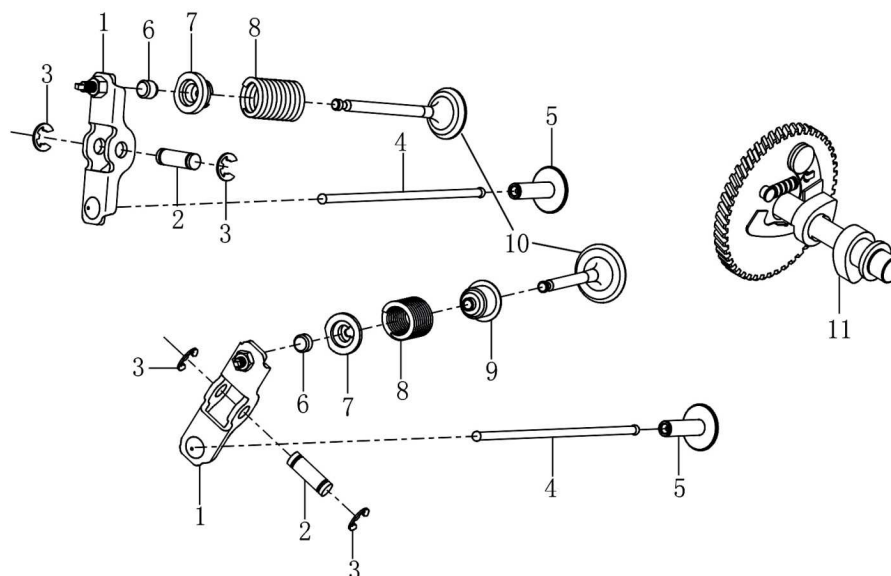
LC 3500 IW - T



ALBERO - PISTONE - CRANKSHAFT - PISTON

4		CODE	DESCRIPTION	QT
1	LC	1300701870001	SET SEGMENTI - RING SET	1
2	LC	3805600560001	SEGER PISTONE - CLIP PISTON PIN	2
3	LC	1300302080001	PISTONE - PISTON	1
4	LC	1300600310001	PIN PISTONE - PIN PISTONE	1
5	LC	1301800010001	BOLT CONNECTING ROD	2
6	LC	1301500540001	BIELLA - ROD ASSY CONNECTING	1
7	LC	380620050T040	CHIAVETTA - KEY	1
8	LC	1302904470001	ALBERO COMPLETO - CRANKSHAFT COMP	1

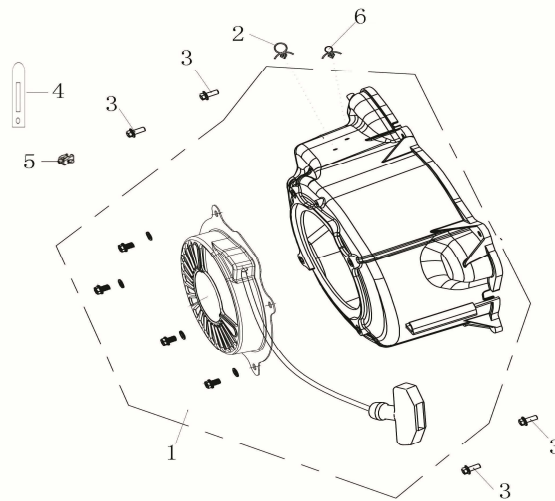
LC 3500 IW - T



VALVOLE - ROCKER CAMSHAFT

4		CODE	DESCRIPTION	QT
1	LC	1404500560001	BILANCERE COMPLETO - ARM COMP	2
2	LC	1417300010001	PIN . PIN T058 $\phi 8 \times 26$	2
3	LC	3805700240003	SEGER BLOCCO - LOCKER	4
4	LC	1406700410001	BARRA SPINTA - ROD PUSH	2
5	LC	1406900030001	ALZAVALVOLA - LIFTER VALVE	2
6	LC	1403200010001	VOLVOLA ROTANTE - ROTATOR VALVE	2
7	LC	1403800170001	MOLLA FERMA VALVOLE - RETAINER VALVE SPRING	2
8	LC	1403400220001	MOLLA VALVOLA - SPRING VALVE	2
9	LC	1404000160001	GUIDA - SEAL GUIDE	1
10	LC	5005500410001	VALVOLA COMPLETA - VALVE COMP.	1
11	LC	1400201140001	ALBERO - CAMSHAFT ASSY	1

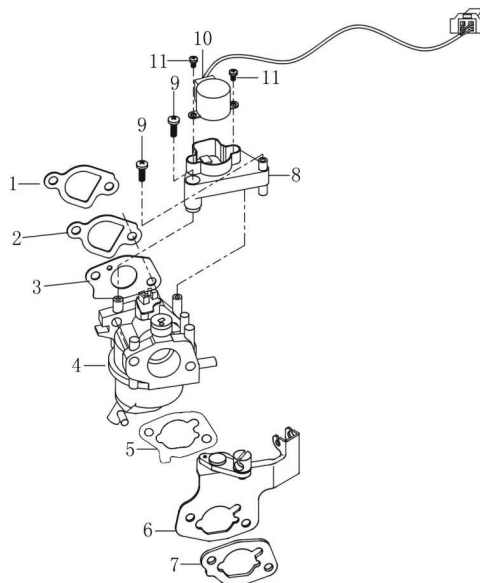
LC 3500 IW - T



AUTOAVVOLGENTE - STARTER SUBASSEMBLY

5		CODE	DESCRIPTION	QT
1	LC	1602101210001	AUTOAVV. COMPLETO - COVER COMP. FAN	1
2	LC	3809301080001	LOCATION CABLE CLIP	1
3	LC	3801400020007	BOLT FLANGE M6×16	4
4	LC	3809403460001	CABLE CLEAT	1
5	LC	1402800010001	CLIP AUTOAVV. - CLIP HARNESS	1
6	LC	3809300240001	LOCATION CABLE CLIP	1

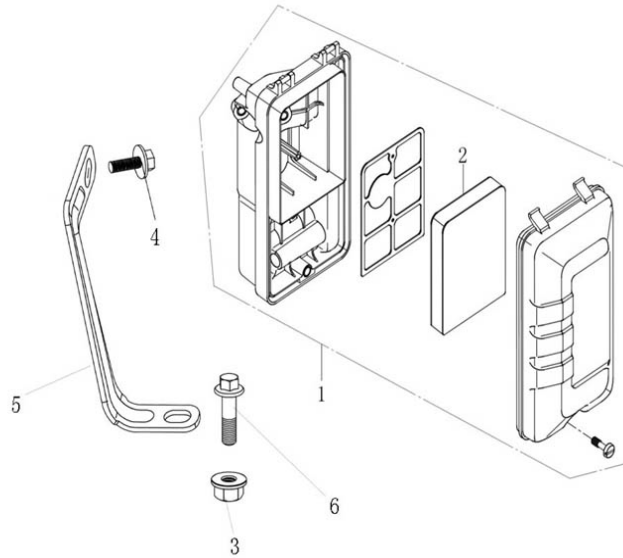
LC 3500 IW - T



CARBURATORI - CARBURATOR

6		CODE	DESCRIPTION	QT
1	LC	1704300600001	GUARNIZIONE CARBURATORE - PACKING INSULATOR	1
2	LC	1704400990001	GUARNIZIONE CARBURATORE - INSULATOR CARBURETOR	1
3	LC	1704300480001	GUARNIZIONE CARBURATORE - PACKING CARBURETOR	1
4	LC	1700217270001	CARBURATORE - CARBURETOR	1
5	LC	1704301400001	GUARNIZIONE CARBURATORE - GASKET CARBURETOR	1
6	LC	1714800280001	SUPPORTO - BRACKET CHOKE	1
7	LC	1704301800001	DISTANZIALE - SPACER COMP.AIR CLEANER	1
8	LC	6609200010001	SUPPORTO MOTORE - BRACKET ELETROMOTOR	1
9	LC	3802000460002	SCREW TAPPING M4×12	2
10	LC	6609100030001	MOTORINO AVVIAMENTO - RECOIL START ASSY	1
11	LC	3802000690002	SCREW M3X5	2

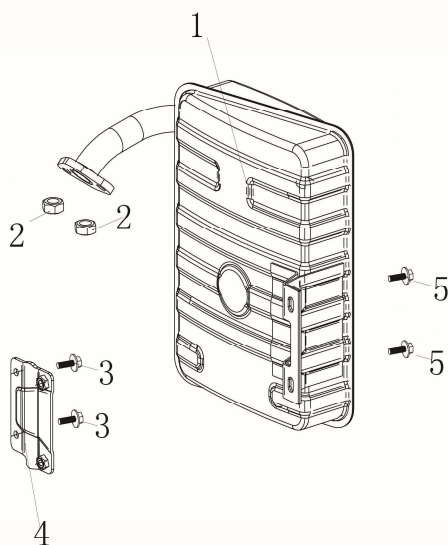
LC 3500 IW - T



FILTRO ARIA - AIR CLEANER

7		CODE	DESCRIPTION	QT
1	LC	1800208280001	FILTRO ARIA - AIR CLEANER	1
2	LC	1801302570001	ELEMENTO FILTRO - FILTER ELEMENT OUTER	1
4	LC	3803700480001	NUT FLANGE	1
5	LC	3801400010006	BOLT FLANGE	1
6	LC	3007101120001	AIR CLEANER STAY	1
7	LC	3801400020007	BOLT FLANGE	1

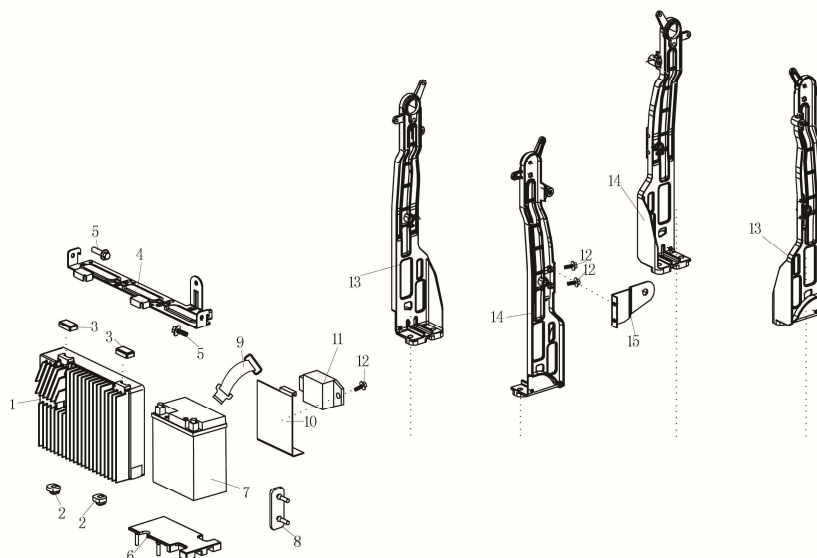
LC 3500 IW - T



MARMITTA - MUFFLER

8		CODE	DESCRIPTION	QT
1	LC	1806902040001	MARMITTA - MUFFLER COMP	1
2	LC	3803400050005	NUT M8	2
3	LC	3801400010005	BOLT FLANGE	2
4	LC	1809900900001	SUPPORTO MARMITTA - MUFFLER BRACKET	1
5	LC	3801400130005	BOLT FLANGE	2

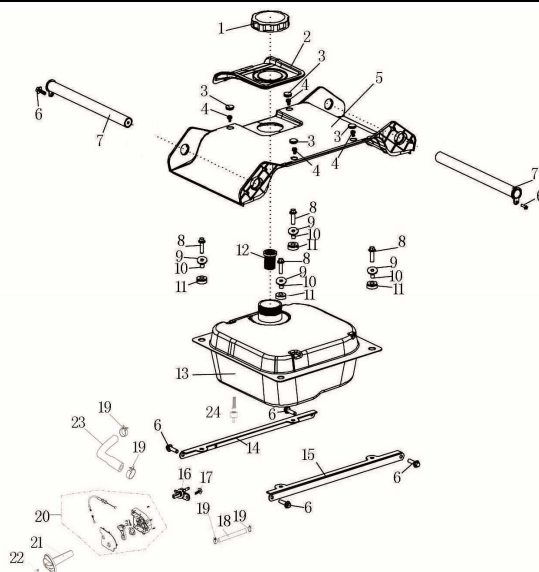
LC 3500 IW - T



INVERTER - INVERTER

9		CODE	DESCRIPTION	QT
1	LC	6609000400001	INVERTER - INVERTER ASSY	1
2	LC	2903400440001	ANTIVIBRANTE - RUBBER	2
3	LC	2903400430001	ANTIVIBRANTE - RUBBER	2
4	LC	6619300020001	INVERTER BRACKET	1
5	LC	3801400020007	BOLT FLANGE	2
6	LC	2903400410001	RUBBER	1
7	LC	2710603040001	SEDE BATTERIA - STORAGE BATTERY	1
8	LC	2723200660001	RUBBER	1
9	LC	3809002470001	HOOP	1
10	LC	3391700020001	STORAGE BATTERY BRACKET	1
11	LC	2729000270001	CARICABATTERIA - CHARGER	1
12	LC	3801401670002	BOLT FLANGE	3
13	LC	6624700010001	FRAMEWORK	2
14	LC	6624700020001	FRAMEWORK	2
15	LC	1969700010001	START ROPE BRACKET	1

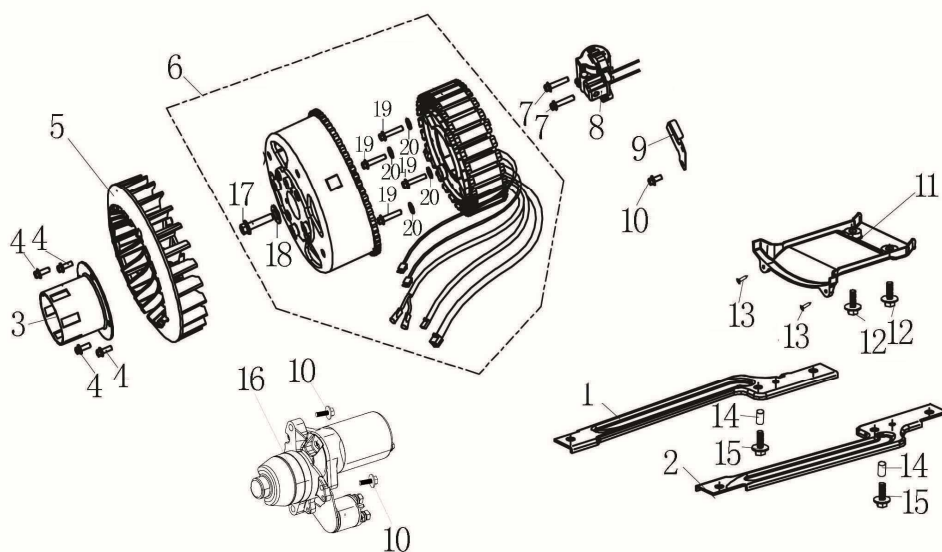
LC 3500 IW - T



SERBATOIO - FUEL TANK

10		CODE	DESCRIPTION	QT
1	LC	1708701360001	TAPPO - CAP COMP FUEL FILLER	1
2	LC	1706200120001	GUARNIZIONE TAPPO - GASKET FUEL TANK OIL	1
3	LC	2733300130001	GRID INSERTED DEACTIVATION SWITCH	4
4	LC	3806900170001	PHILIPS SMALL HEAD SCREW	4
5	LC	3028500070001	FRAME TOP COVER	1
6	LC	3801400010006	BOLT, FLANGE	6
7	LC	3204000510001	PIPE HANDLE	2
8	LC	3801401030004	VITE - BOLT FLANGE M6x25	4
9	LC	3804504440002	GUARNIZIONE - WASHER	4
10	LC	1707100140001	COLLARE SERBATOIO - COLLAR TANK CUSHION	4
11	LC	1707000500001	ANTIVIBRANTE SERBATOIO - RUBBER FUEL CUSHION	4
12	LC	1707200160001	FILTRO - FILTER FUEL TANK	1
13	LC	1705011490001	SERBATOIO COMPLETO - TANK COMP FUEL	1
14	LC	1728400380001	TANK INSTALL SUPPORT LEFT	1
15	LC	1728400390001	TANK INSTALL SUPPORT RIGHT	1
16	LC	1709801100001	RUBINETTO - COCK ASSY FUEL	1
17	LC	3801400010006	BOLT FLANGE	1
18	LC	3807506930001	TUBO SERBATOIO - TUBE FUEL	1
19	LC	3809601700002	FASCETTA - LOOP TUBE	4
20	LC	6619200140001	TUBO - TUBING	1
21	LC	1732600080001	OIL SWITCH KNOB	1
22	LC	3812100340001	SCREW	1
23	LC	3807508330001	TUBO - TUBE FUEL	1
24	LC	1706601100001	SUPPORTO - JOINT ASSY FUEL TANK	1

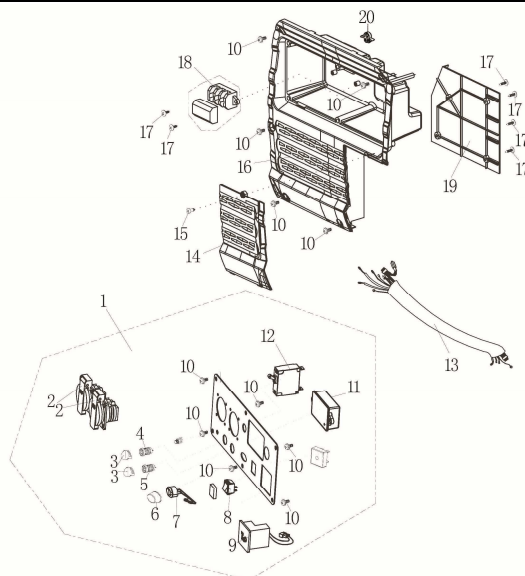
LC 3500 IW - T



ROTORE E STATORE - ROTOR STATOR

11		CODE	DESCRIPTION	QT
1	LC	3419500050001	ENGINE SUPPORT PLATE LEFT	1
2	LC	3419500060001	SUPPORTO DESTRO - ENGINE SUPPORT PLATE RIGHT	1
3	LC	1935900350001	TAZZA - PULLEY STARTER	1
4	LC	3801400020007	BOLT FLANGE	4
5	LC	6601300070001	VENTOLA - MOTOR FAN	1
6	LC	6600804550001	ALTERNATORE - ALTERNATOR ASSY	1
7	LC	3801400030005	BOLT FLANGE	2
8	LC	2709203640001	BOBINA - COIL ASSY IGNITION	1
9	LC	1104800300001	FISSAGGIO - MOTOR STATOR LINE PRESSING BOARD	1
10	LC	3801400010006	BOLT FLANGE	3
11	LC	1602000540001	WIND GUIDER	1
12	LC	3802000140001	SCREW PAN	2
13	LC	3803101170001	SELT THREADING SCREW	2
14	LC	3806001170001	PIN DOWEL	2
15	LC	3801400910005	VITE FLANGIA - BOLT FLANGE	2
16	LC	2703601270001	MOTORINO AVVIAMENTO - STARTER MOTOR	1
17	LC	3801405970001	BOLT FLANGE	1
18	LC	3804510240001	GUARNIZIONE ALTERNATORE - FLAT WASHER	1
19	LC	3801902210001	BOLT FLANGE	4
20	LC	3804600030003	WASHER SPRING	4

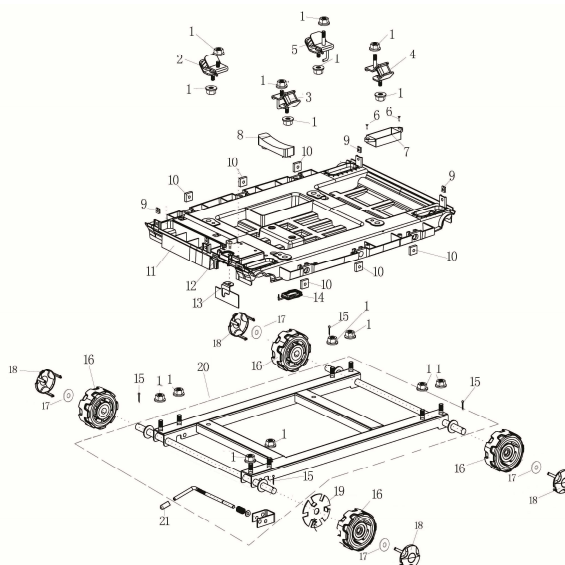
LC3500 IW - T



PANNELLO DI CONTROLLO - CONTROL PANEL

12		CODE	DESCRIPTION	QT
1	LC	2718520760001	PANNELLO CONTROLLO - CONTROL PANEL ASSY	1
2	LC	2718900010001	POWER SOCKET COMBINATION	2
3	LC	2733300060001	GRID SOCKET WATERPROOF GLUE SETS	2
4	LC	3810700090001	GRID SOCKET (RED)	1
5	LC	3810700090002	GRID SOCKET (BLACK)	1
6	LC	2733300050001	TAPPO - SLIDING SWITCH WATERPROOF CAP	1
7	LC	1734000020001	INTERRUTTORE - DEACTIVATION SWITCH	1
8	LC	2718100350001	INTERRUTTORE - SWITCH ASSY COMBINATION	1
9	LC	3810700100001	PRESA - DC SOCKET (WITH THE FLOW DEVICE)	1
10	LC	3806900170001	PHILIPS SMALL HEAD SCREW M 5X12	11
11	LC	2731400030001	DISPLAY DIGITALE - DIGITAL DISPLAY METER	1
12	LC	2712901540001	PANNELLO CONTROLLO - CONTROL PANEL WIRING HARNESS	1
13	LC	2720401420001	HARNESS ASSY WIRE	1
14	LC	6624600010001	PANNELLO - STORAGE BATTERY MAINT.	1
15	LC	3818100020001	SCREW	1
16	LC	2719700230001	PANEL	1
17	LC	3803101350001	SELT THREADING SCREW	6
18	LC	2712400040001	LINEA CONNESSIONE - LINE CONNECTION	1
19	LC	6618900020001	INVERTER WIND GUIDE	1
20	LC	3809301080001	LOCATION CABLE CLIP	1

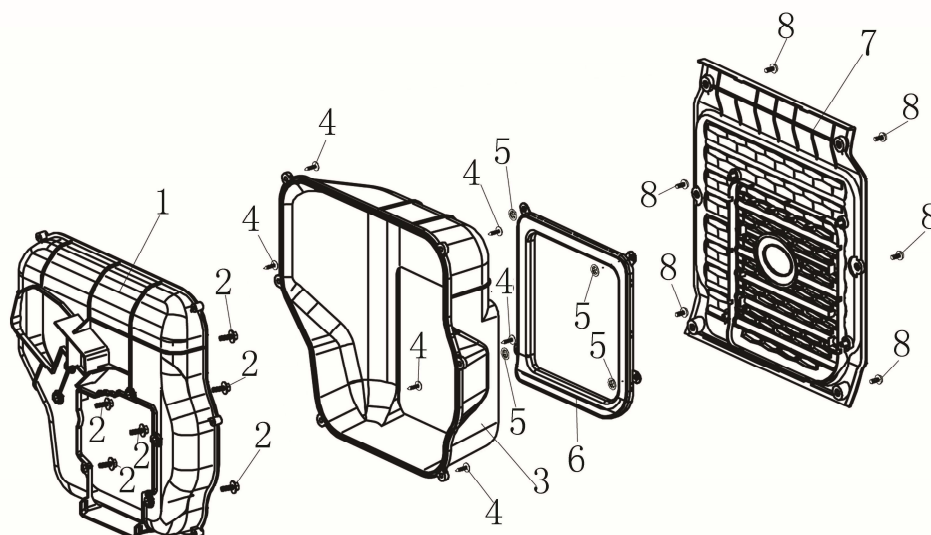
CFLC



TELAIO - FRAME

13		CODE	DESCRIPTION	QT
1	LC	3803700070004	NUT M8	16
2	LC	3007800280001	ANTIVIBRANTE - SHOCK ABSORBTION	1
3	LC	3007800330001	ANTIVIBRANTE - SHOCK ABSORBTION	1
4	LC	3007800320001	ANTIVIBRANTE - SHOCK ABSORBTION	1
5	LC	3007800290001	ANTIVIBRANTE - SHOCK ABSORBTION	1
6	LC	3803101350001	SELT THREADING SCREW	2
7	LC	2710002330001	INIEZIONE - IGNITION	1
8	LC	2903400400001	ANTIVIBRANTE - SHOCK ABSORBTION	1
9	LC	3804200410001	NUT	4
10	LC	3804300310001	DADO - SQUARE NUT	6
11	LC	3032400050001	MOTHERBOARD	1
12	LC	3801401670002	BOLT FLANGE	1
13	LC	6610700020001	WHEEL RESTRICT	1
14	LC	381000309-0001	BLOCK UP	1
15	LC	3805900100003	PIN	4
16	LC	6606900400001	RUOTE - WHEEL	4
17	LC	3804505160001	FLAT WASHER	4
18	LC	6607200020001	ESTERNO RUOTA - WHEEL AVOID DUST	4
19	LC	6607600020001	DISTANZIALE - WHEEL RESTRICT	1
20	LC	3007204560001	TELAIO - FRAME COMP	1
21	LC	6610800030001	WHEEL RESTRICT	1

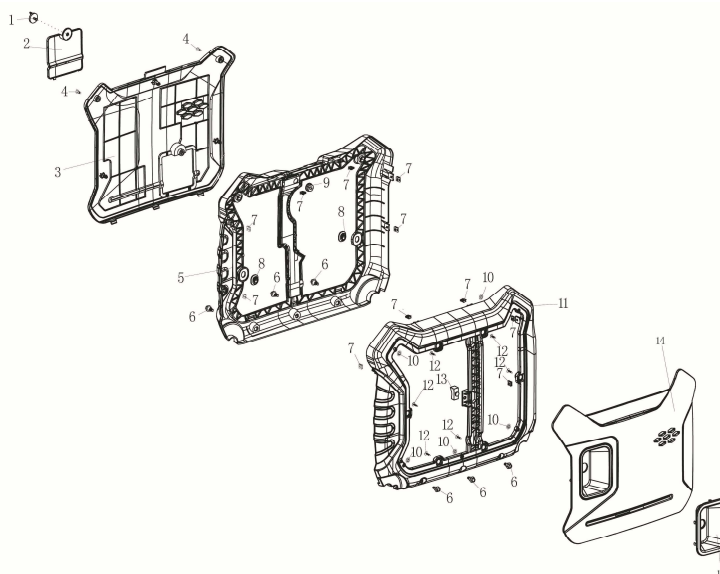
LC 3500 IW - T



PROTEZIONE MARMITTA - PROTECTOR MUFFLER

14		CODE	DESCRIPTION	QT
1	LC	1809601640001	COVER MARMITTA - MUFFLER COVER	1
2	LC	3801401670002	BOLT FLANGE	6
3	LC	1809601630001	COVER MARMITTA - MUFFLER COVER	1
4	LC	3803101350001	SELT THREADING SCREW	6
5	LC	3804900190001	LOCK WASHER	4
6	LC	6618800080001	GUIDA - WIND GUIDER	1
7	LC	6619000030001	WINDOW	1
8	LC	3806900170001	PHILIPS SMALL HEAD SCREW	6

LC 3500 IW - T



TELAIO ESTERNO - APPEARANCE COVER

15		CODE	DESCRIPTION	QT
1	LC	6624900010001	SWER	1
2	LC	1106300060001	FINESTRA CONTROLLO OLIO - OIL EXAMINE WINDOW	1
3	LC	6618600040002	COVER SINISTRA - APPEARANCE COVER LEFT	1
4	LC	3818100020001	SCREW	2
5	LC	6618400030001	COVER - GENERATOR COVER	1
6	LC	3801000380001	BOLT	6
7	LC	3804200410001	NUT	12
8	LC	1707001320001	RUBBER	2
9	LC	1707001310001	RUBBER	1
10	LC	3804900190001	LOCK WASHER	5
11	LC	6618500030001	COVER - GENERATOR COVER	1
12	LC	3803101350001	SELT THREADING SCREW	6
13	LC	2903400420001	RUBBER	1
14	LC	6618700040002	FINISTRA DESTRA - APPEARANCE COVER RIGHT	1
15	LC	6619400040001	PROTEZIONE - PULL ON THE ROPE HANDLE DECORATION COVER	1